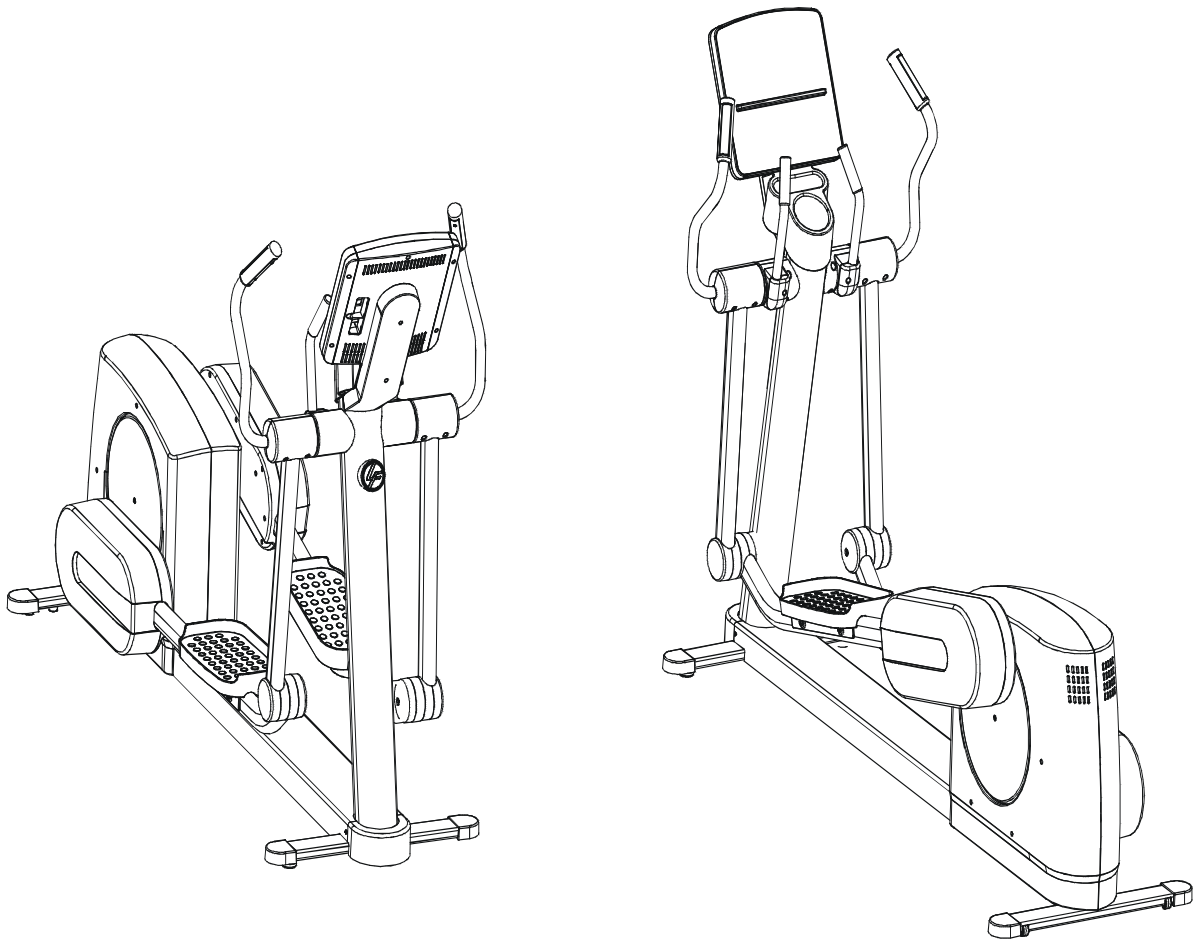


LifeFitness

ARCTIC SILVER QUIET DRIVE
CROSS-TRAINER 95Xe-0XXX-03
(MADE IN HUNGARY)



Customer Support Services
PARTS MANUAL rev 30 Jul 2008

ARCTIC SILVER QUIET DRIVE 95Xe
REFERENCES

95XE-0XXX-03
S/N XHL055007714

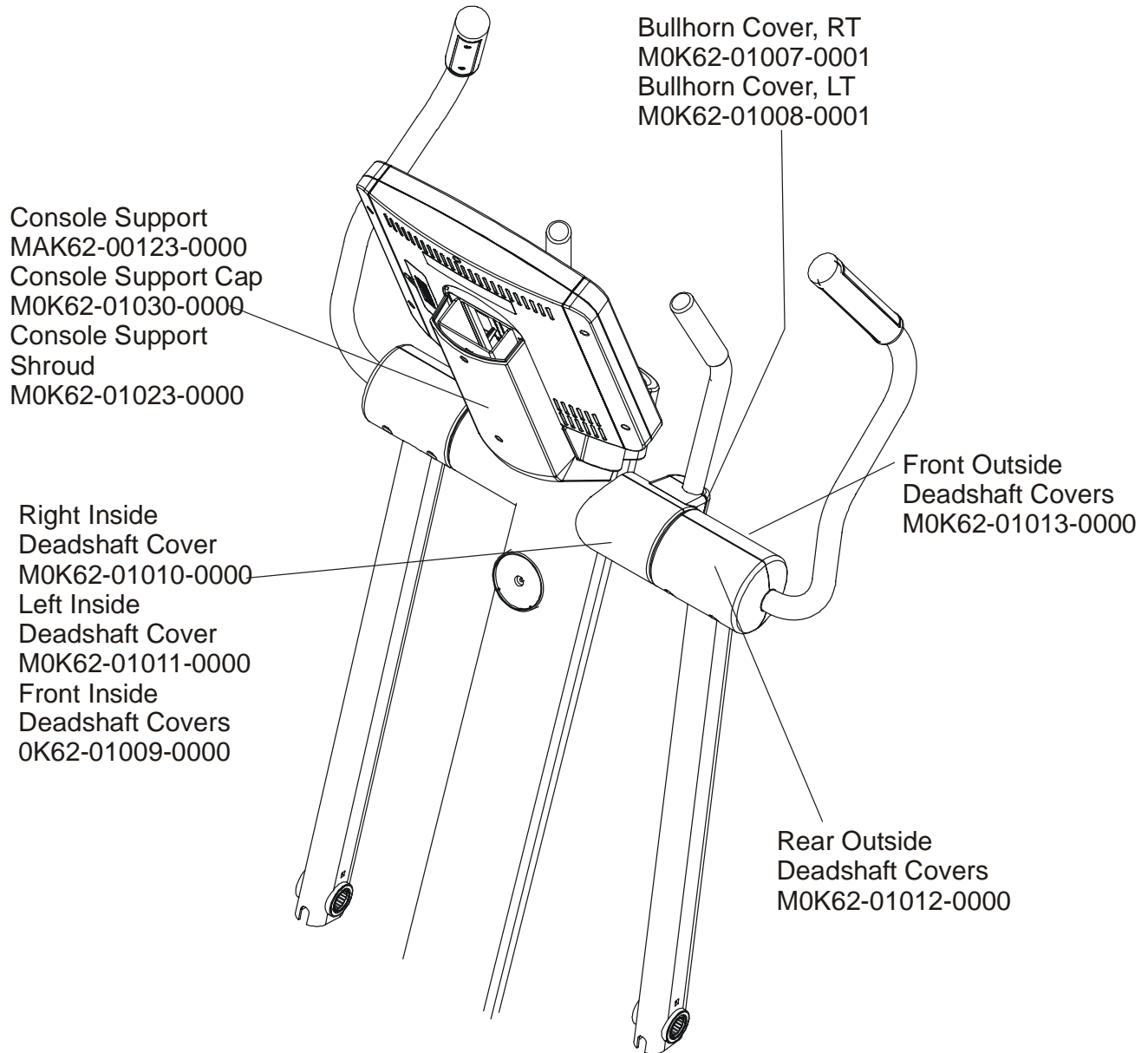
OPERATION MANUAL	M051-00K62-A095
SERVICE MANUAL	M051-00K62-A149
HARDWARE BAG	AK62-00152-0001
TOUCH UP PAINT: SPRAY CAN .5 OZ BOTTLE W/APPLICATOR .33 OZ PEN	0017-00008-0204 0017-00008-0205 0017-00008-0206
ACCESS PANEL ASSEMBLY	AK62-00172-0000
COAX CABLE	AK32-00020-0000
POWER SUPPLY (WALL TO UNIT)	118E-00001-0161
DC POWER CABLE, 80 IN.	AK32-00075-0004
LINE CORD: DOM 10A 125V	0017-00003-0704
LINE CORD: CON 10A 250V	0017-00003-0691
LINE CORD: 10A UK	0017-00003-0889
LINE CORD: AUSTRALIA	0017-00003-0918

	Page
CONSOLE SUPPORT & DEADSHAFT COVERS	4
HANDLEBARS AND BULLHORNS	5
COMPLETE CONSOLE ASSEMBLY	6
CONSOLE COMPONENTS	7
UPPER FRAME HARDWARE	8
ROCKER ARMS AND PEDAL LEVERS	9
CRANK COVER AND LOWER CAPS	10
LOWER FRAME SHROUDS AND HARDWARE.....	11
PEDAL LEVER COMPONENTS	12
PCB, BATTERY, REED SWITCH & BRACKET	13
BEARING INSERT ASSEMBLY	14
CRANK ARM PULLEY ASSEMBLY.....	15
DRIVE MODULE.....	16
DRIVE MODULE HARDWARE	17
CABLES	18

Note: The 95Xe comes with both Telemetry and LifePulse Sensors.

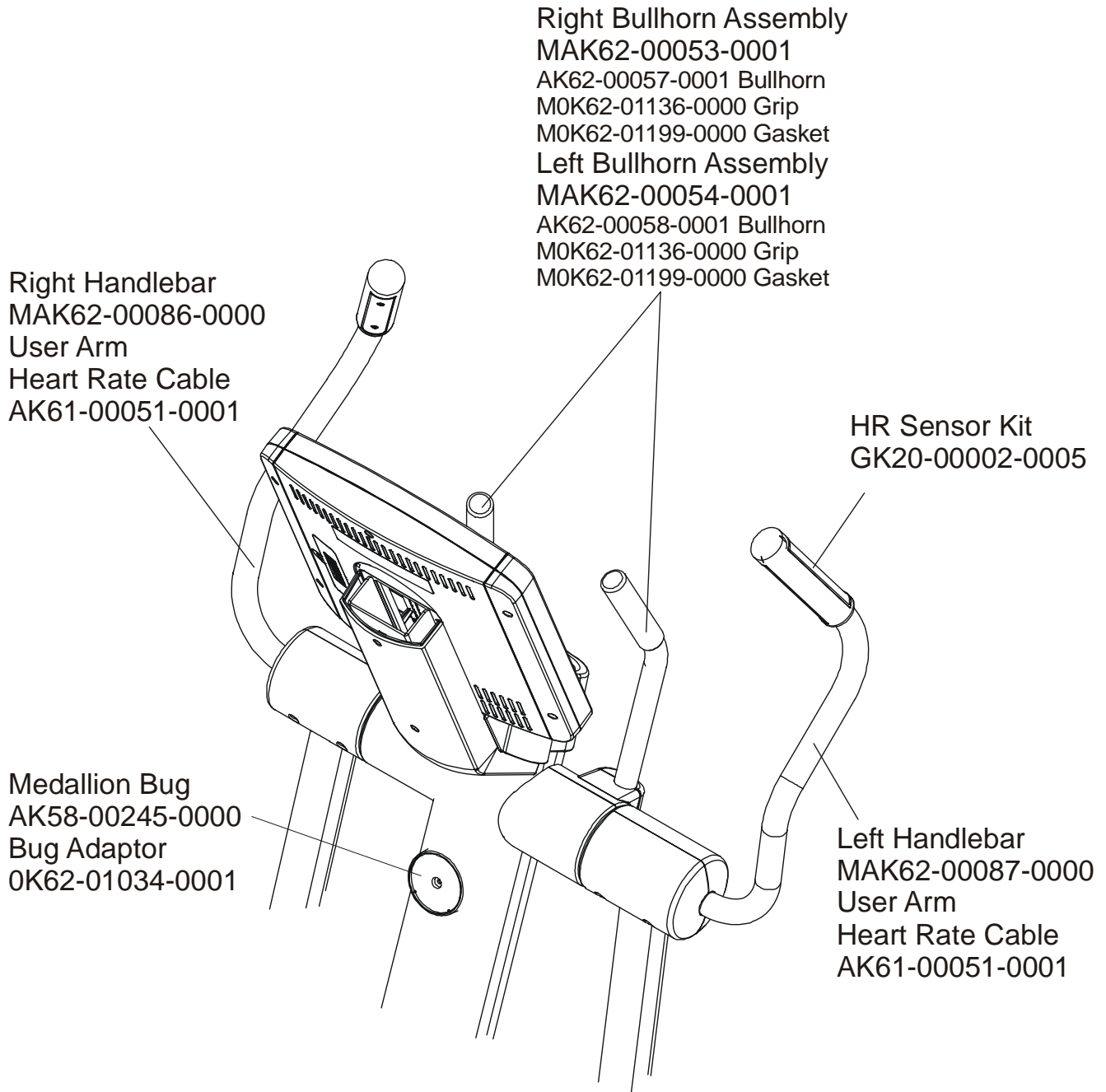
ARCTIC SILVER QUIET DRIVE 95Xe
Console Support & Deadshaft Covers

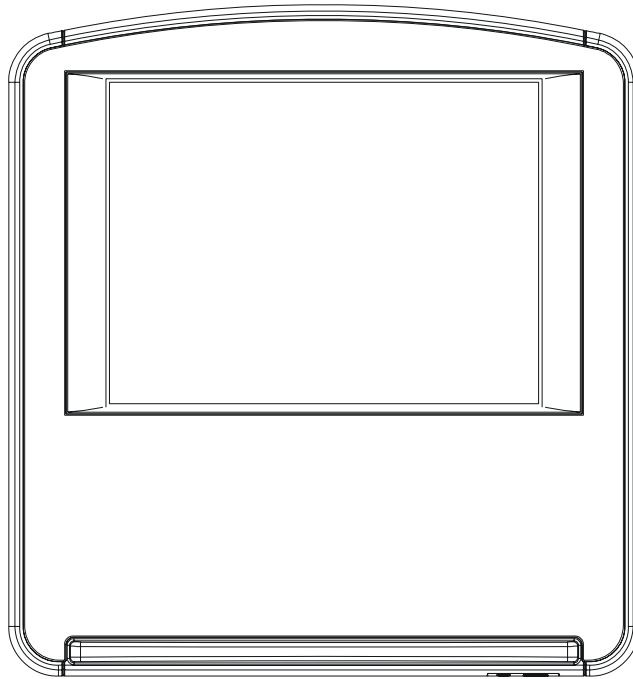
95XE-0XXX-03
S/N XHL055007714



ARCTIC SILVER QUIET DRIVE 95XE
Handlebars and Bullhorns

95XE-0XXX-03
S/N XHL055007714

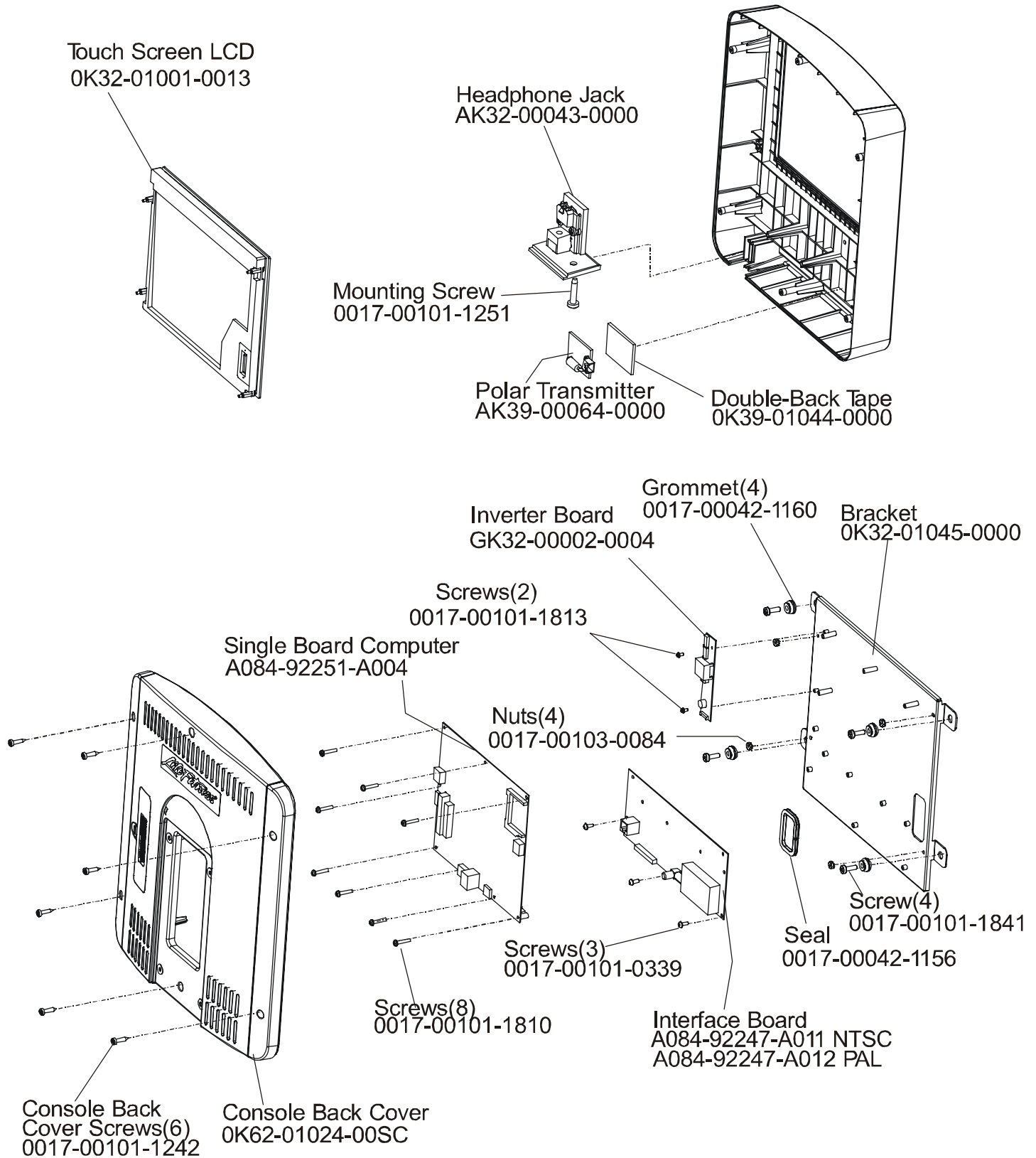




CONSOLE ASSEMBLY	
GK62-00002-0047	KIT: SERVICE LCD CONSOLE NTSC; ENG
GK62-00002-0048	KIT: SERVICE LCD CONSOLE NTSC; SPN
GK62-00002-0049	KIT: SERVICE LCD CONSOLE NTSC; JAP
GK62-00002-0050	KIT: SERVICE LCD CONSOLE NTSC; FRN
GK62-00002-0051	KIT: SERVICE LCD CONSOLE NTSC; POR
GK62-00002-0052	KIT: SERVICE LCD CONSOLE NTSC; CHI
GK62-00002-0053	KIT: SERVICE LCD CONSOLE NTSC; KOR
GK62-00002-0054	KIT: SERVICE LCD CONSOLE PAL; ENG
GK62-00002-0055	KIT: SERVICE LCD CONSOLE PAL; GER
GK62-00002-0056	KIT: SERVICE LCD CONSOLE PAL; SPN
GK62-00002-0057	KIT: SERVICE LCD CONSOLE PAL; FRN
GK62-00002-0058	KIT: SERVICE LCD CONSOLE PAL; ITL
GK62-00002-0059	KIT: SERVICE LCD CONSOLE PAL; DUT
GK62-00002-0060	KIT: SERVICE LCD CONSOLE PAL; POR
GK62-00002-0061	KIT: SERVICE LCD CONSOLE PAL; CHI
GK62-00002-0062	KIT: SERVICE LCD CONSOLE PAL; KOR
GK62-00002-0063	KIT: SERVICE LCD CONSOLE PAL; RUS

ARCTIC SILVER QUIET DRIVE 95XE
Console Components

95XE-0XXX-03
S/N XHL055007714

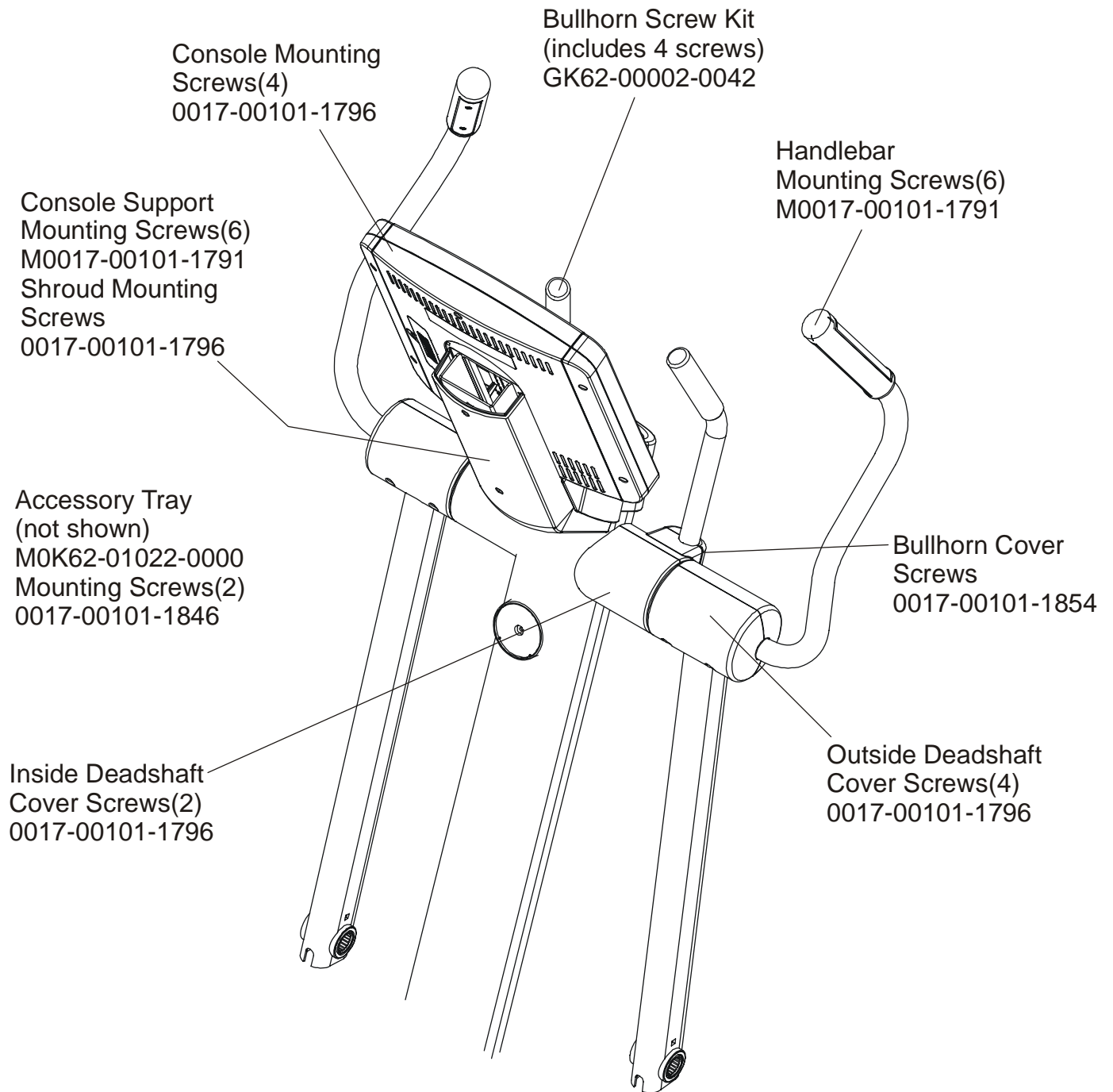


ARCTIC SILVER QUIET DRIVE 95XE

Upper Frame Hardware

95XE-0XXX-03

S/N XHL055007714



ARCTIC SILVER QUIET DRIVE 95XE

Rocker Arms & Pedal Levers

95XE-0XXX-03

S/N XHL055007714

Rocker Arms Kit
GK62-00002-0070
contents:

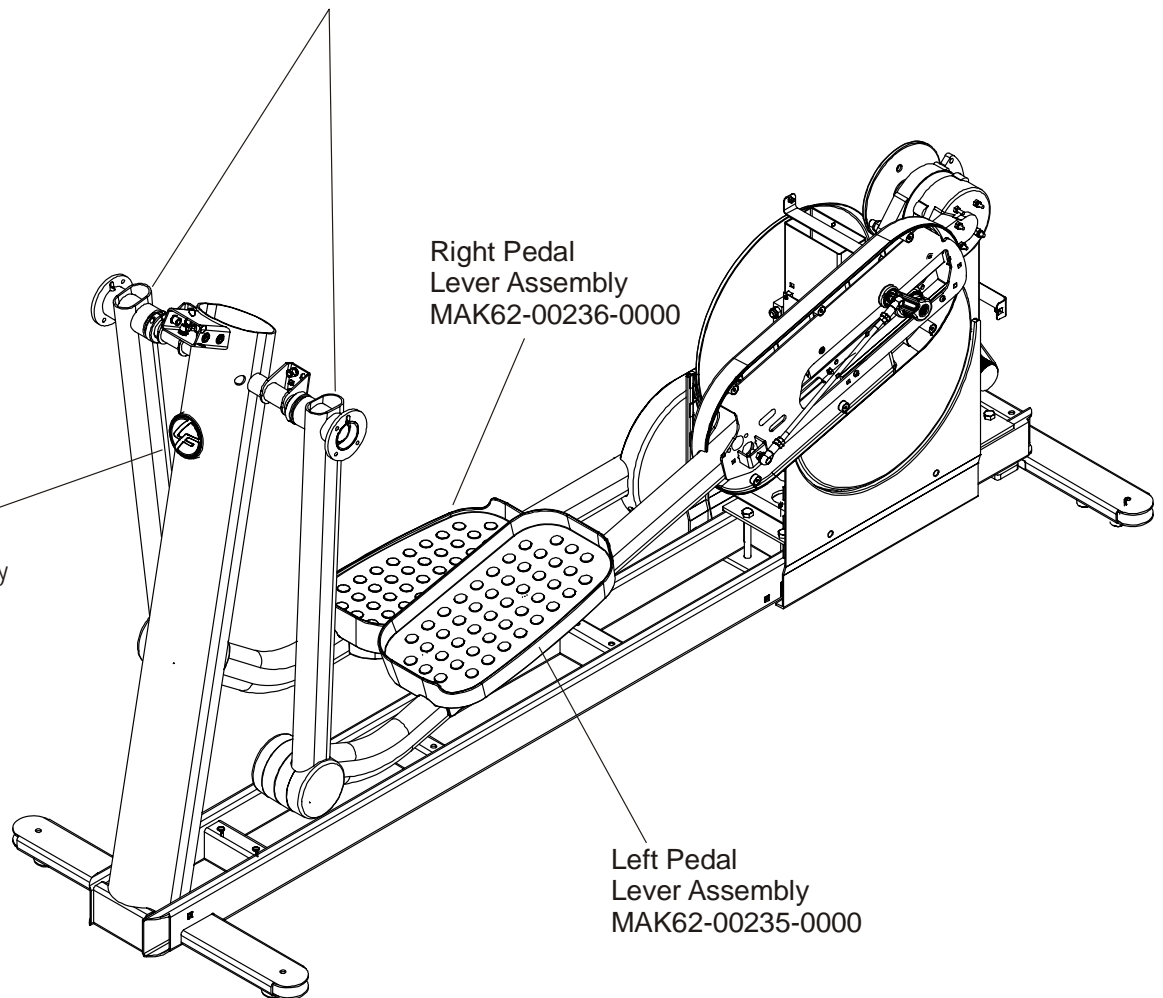
- Rocker Arms (2)
- Hardened Spacers (2)
- Oillite Washers (2)
- Retaining Rings (2)
- Loctite 620
- Alcohol pad

Rocker Arms
AK62-00002-0070
Shaft Collar w/Screws
OK61-01259-0000

LF Bug
Medallion Assembly
AK58-00245-0000

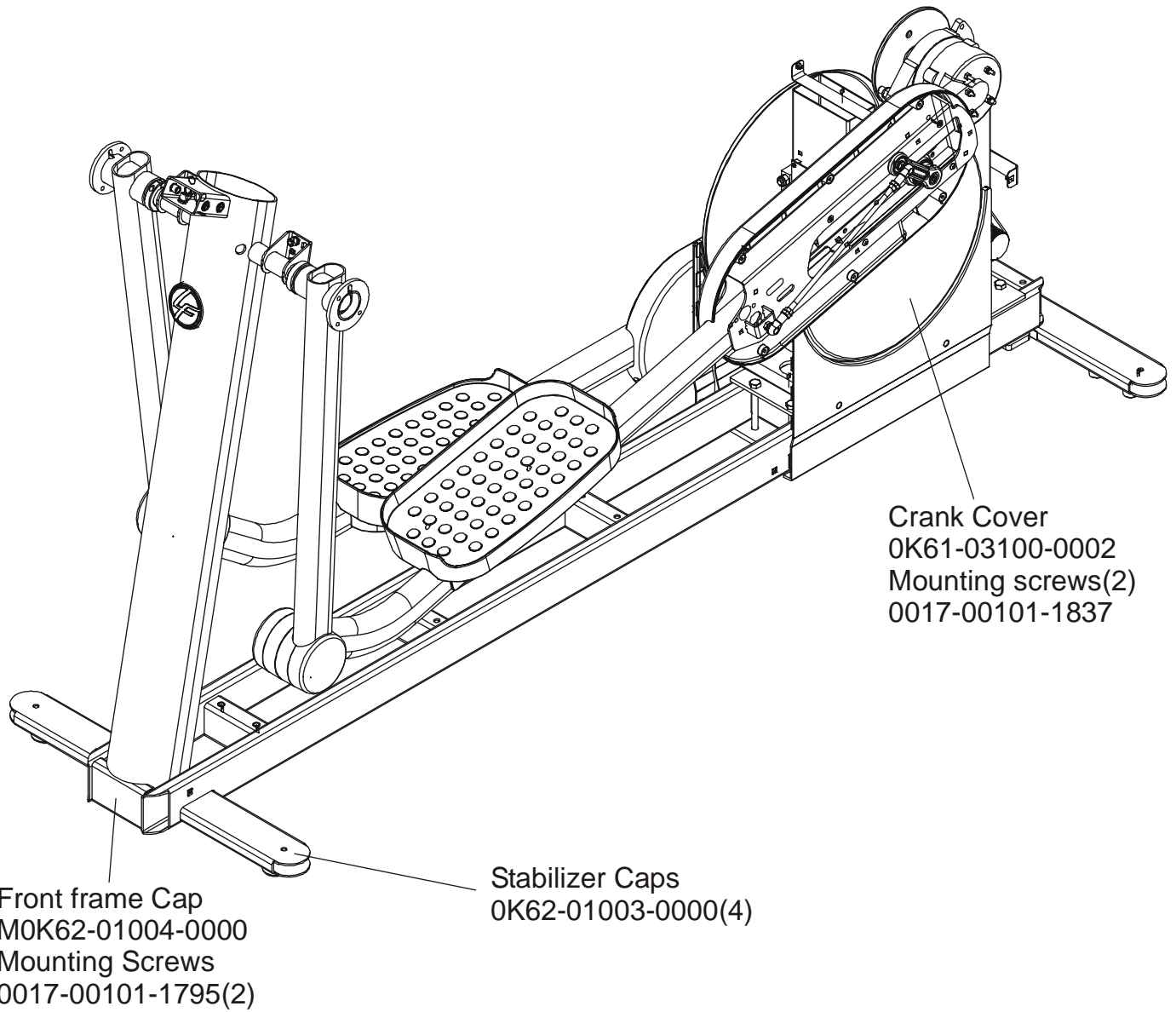
Right Pedal
Lever Assembly
MAK62-00236-0000

Left Pedal
Lever Assembly
MAK62-00235-0000



ARCTIC SILVER QUIET DRIVE 95XE
Crank Cover and Lower Caps

95XE-0XXX-03
S/N XHL055007714

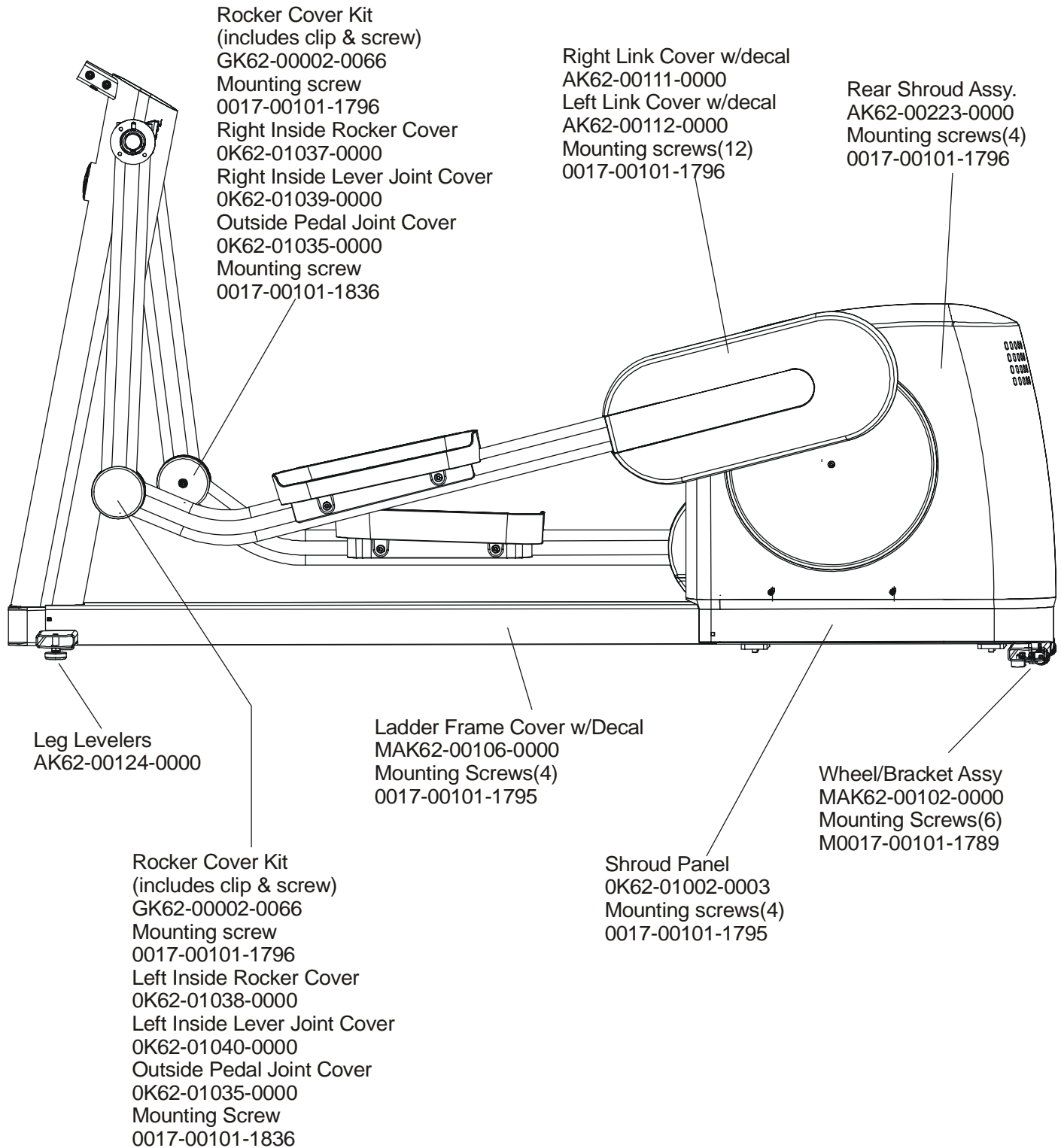


ARCTIC SILVER QUIET DRIVE 95XE

Lower Frame Shrouds & Hardware

95XE-0XXX-03

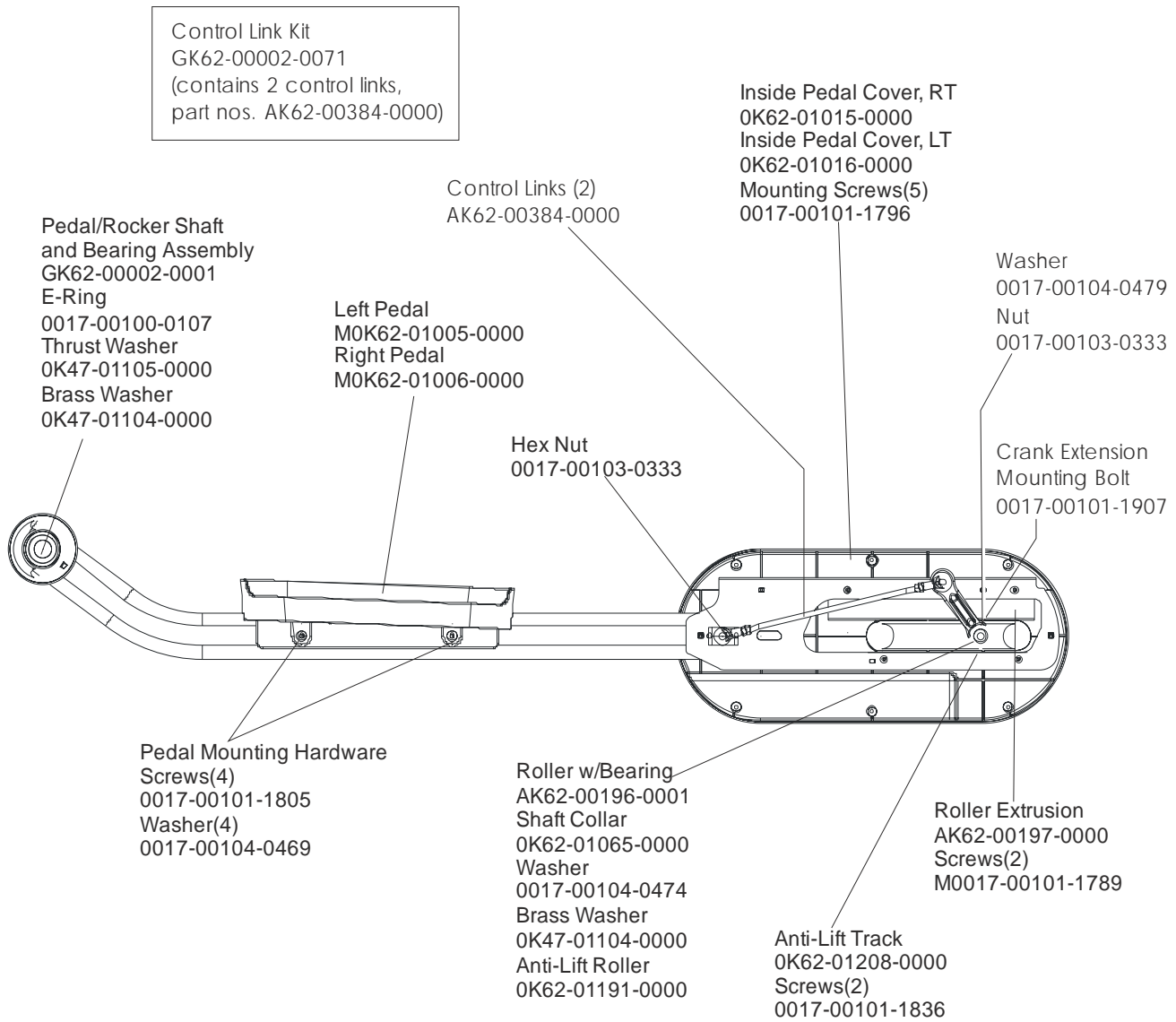
S/N XHL055007714



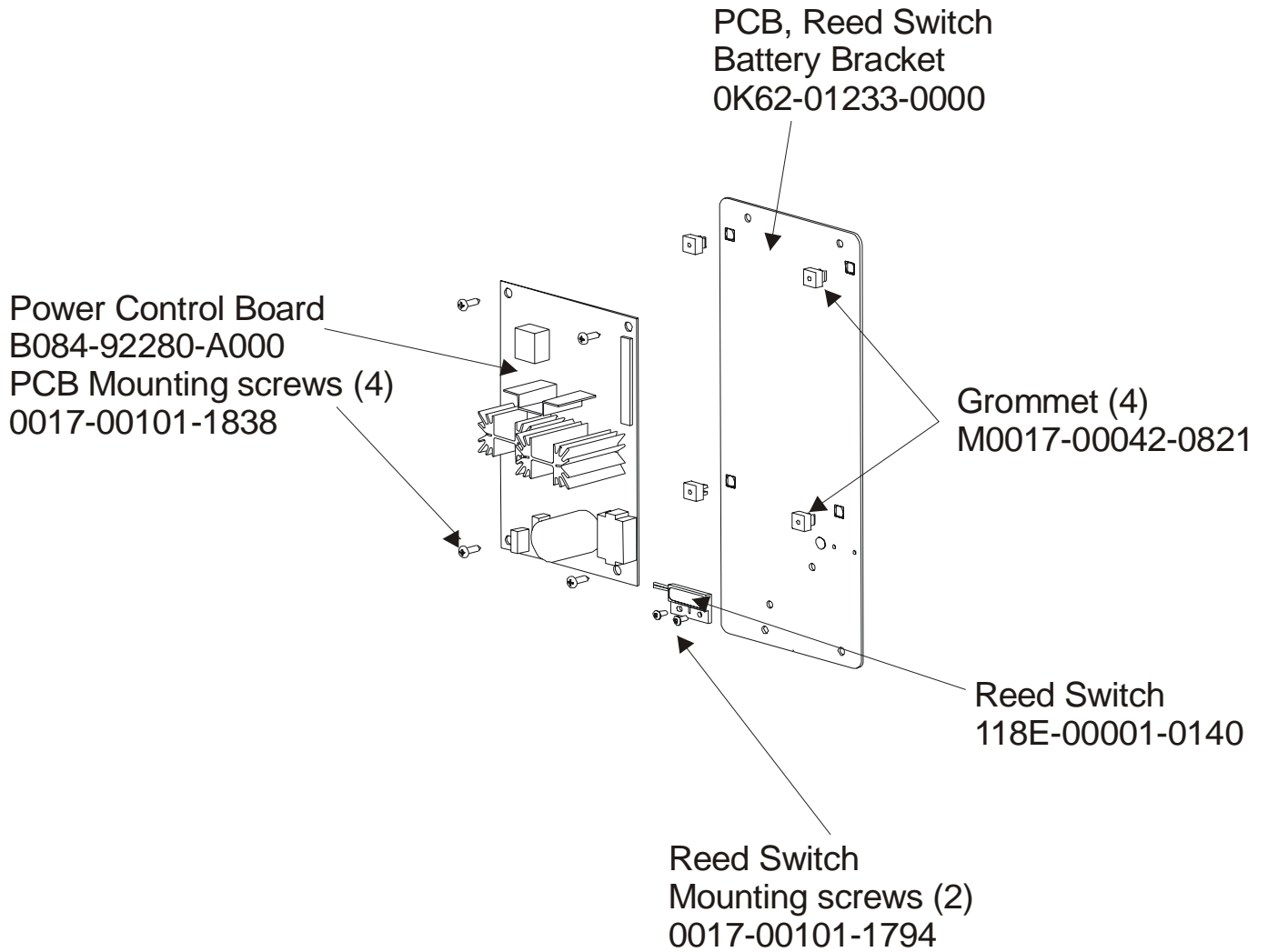
ARCTIC SILVER QUIET DRIVE 95XE

Pedal Lever Assembly Components

95XE-0XXX-03
S/N XHL055007714



Note: Units with old control link assemblies will require kit MGK62-00002-0015 when replacing either the tie rod assembly or the crank extension for the first time.

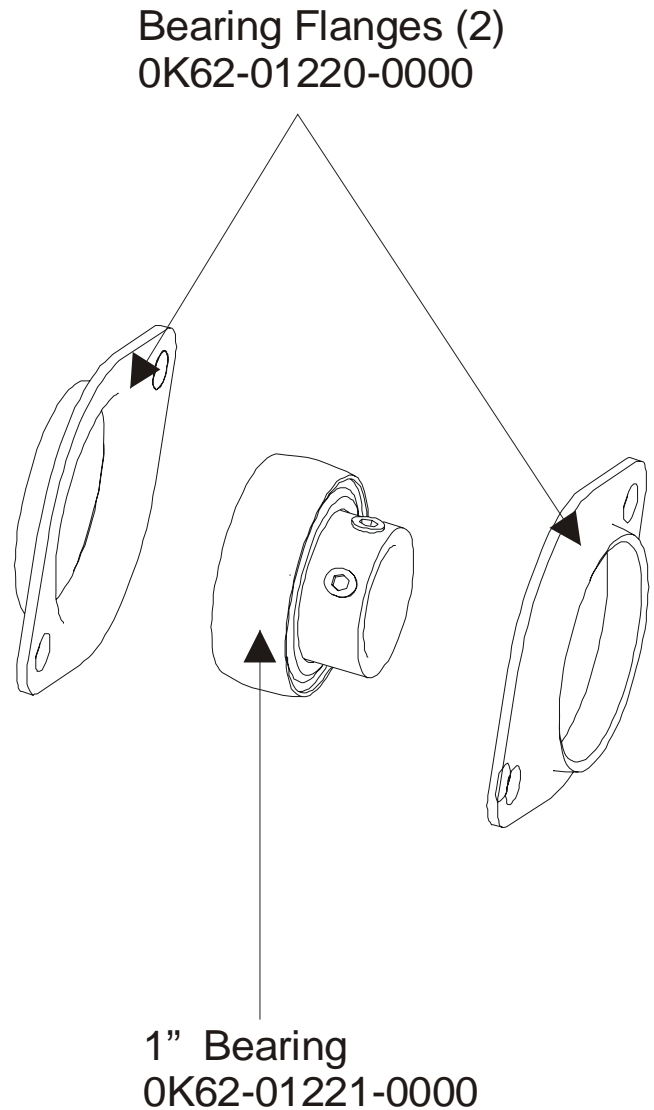


Service Kit-
MGK62-00002-0044
Includes:

- 1- crankshaft
- 2- bearings
- 2- sets of bearing flanges
- 4- nuts and washers

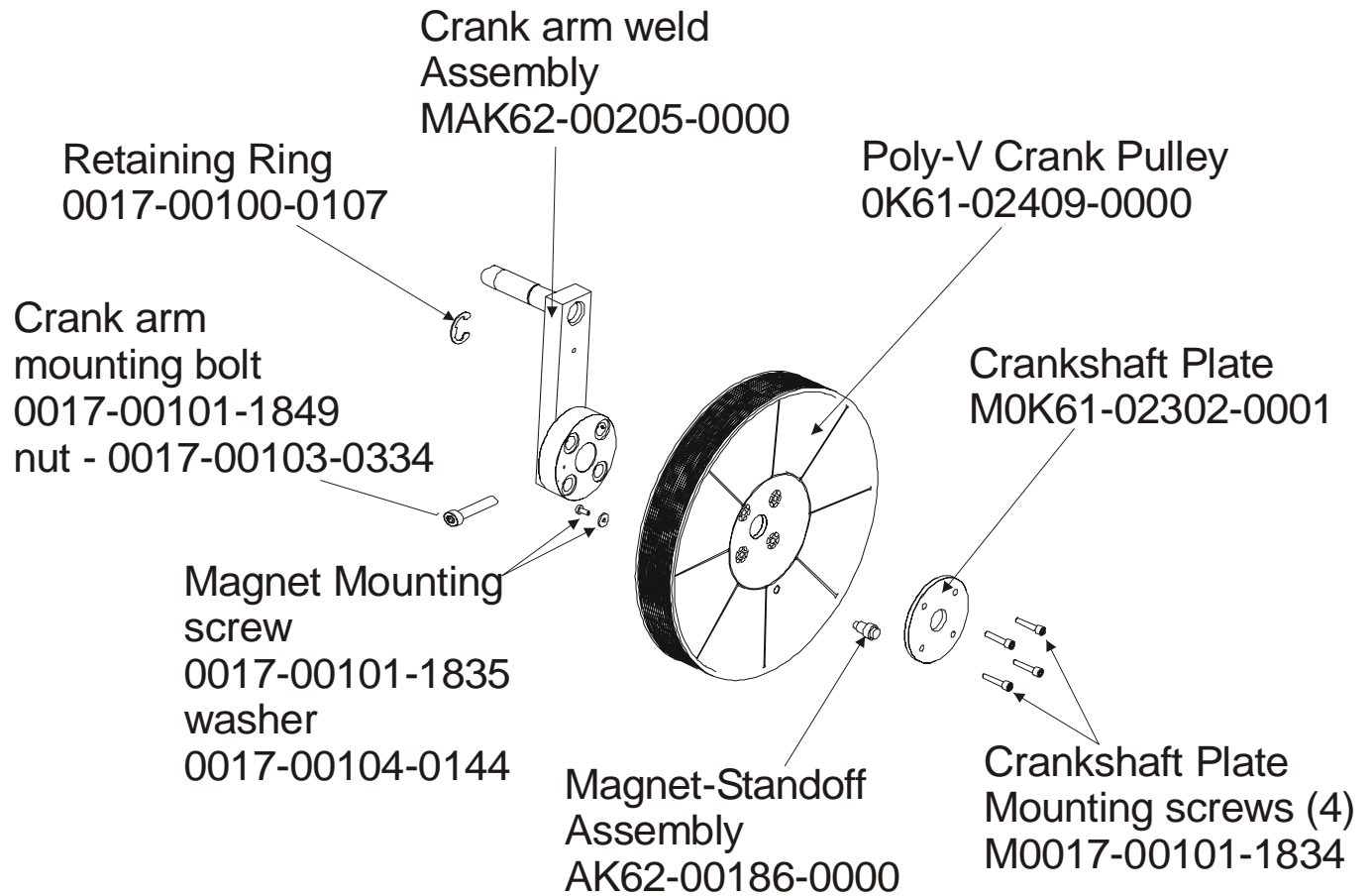
Service Kit- GK62-00002-0045
Includes:

- 1 - intermediate shaft
- 2 - bearings
- 2- sets of bearing flanges
- 4- nuts and washers



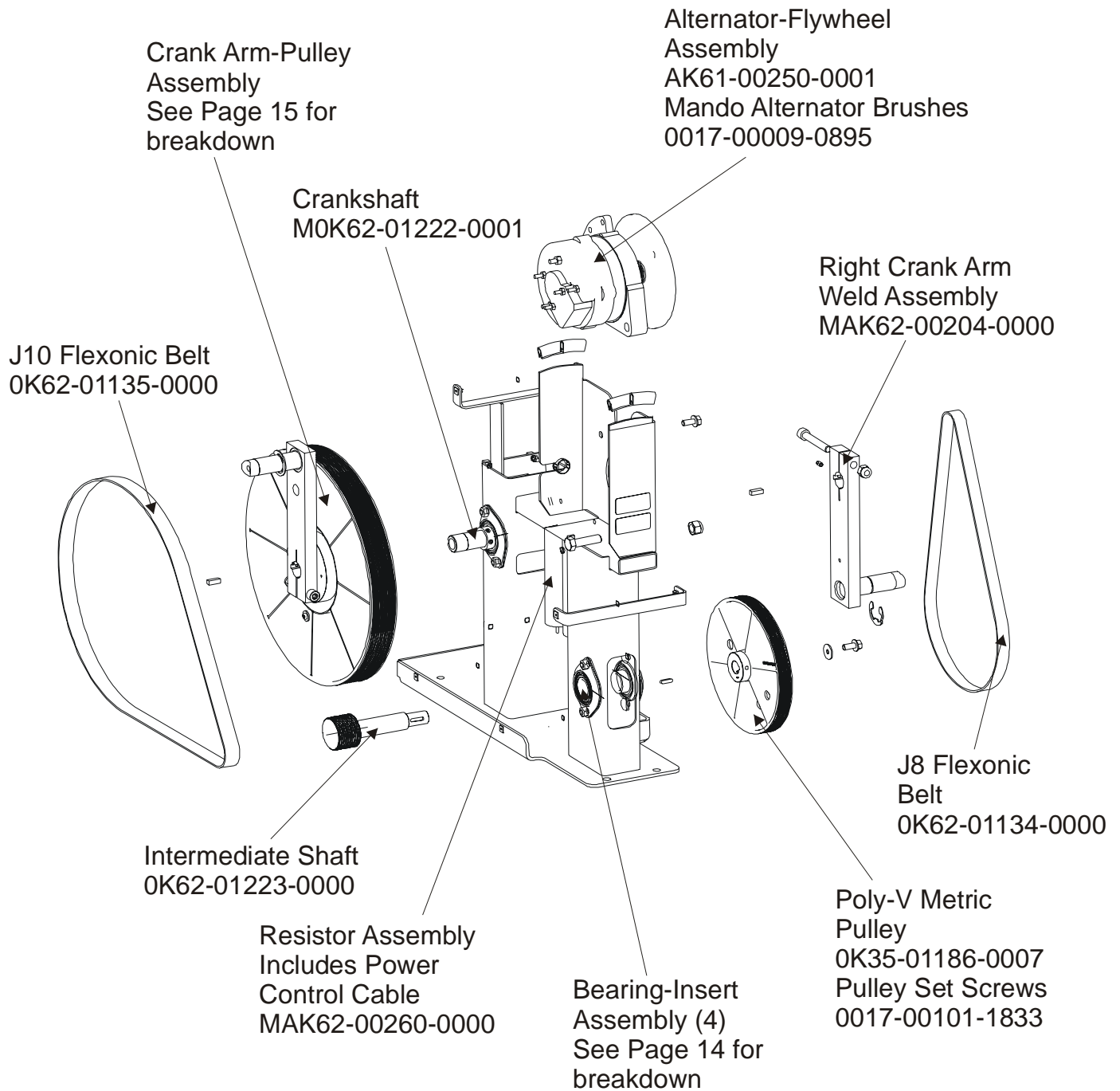
ARCTIC SILVER QUIET DRIVE 95XE
Crank Arm Pulley Assembly

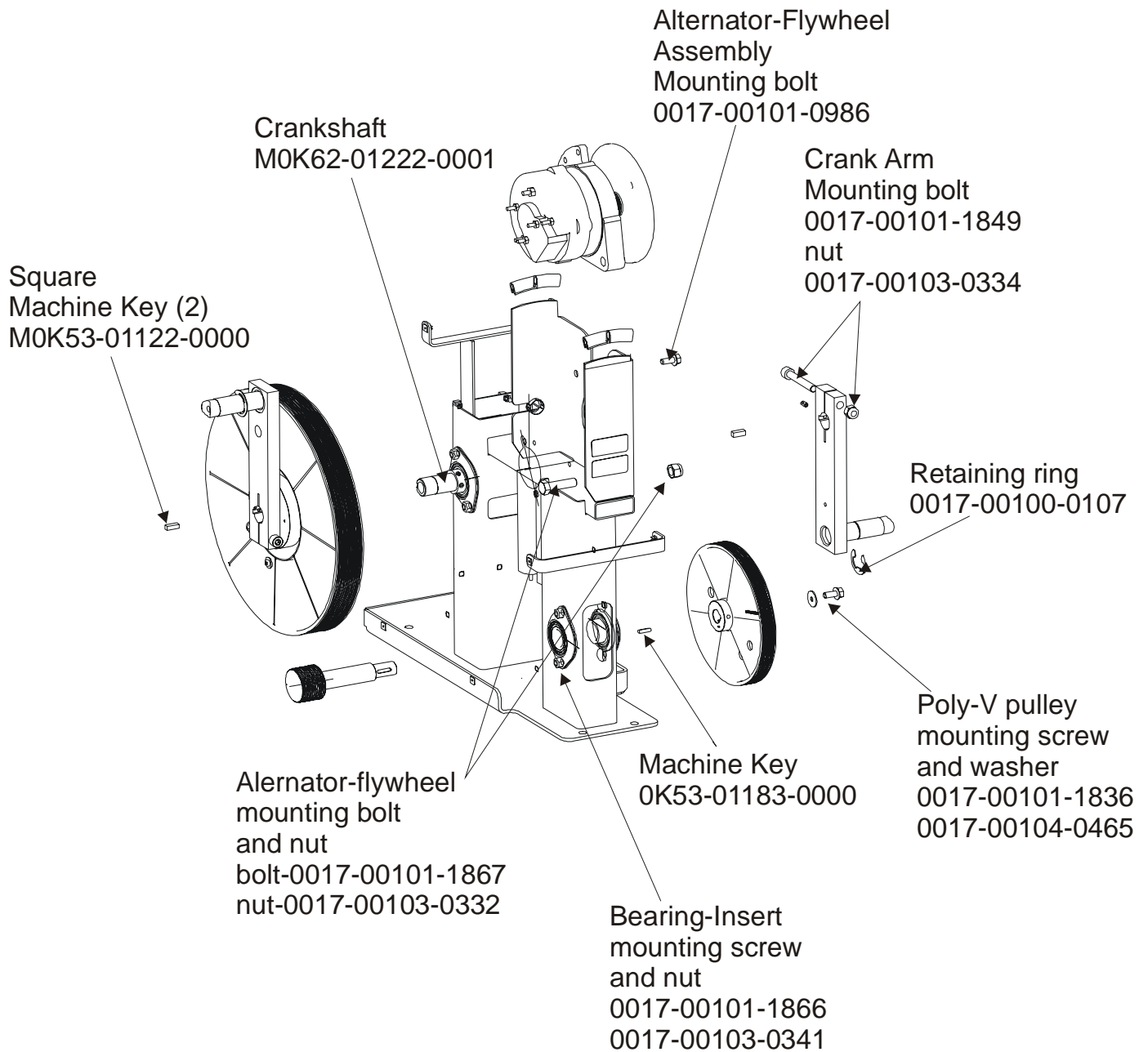
95XE-0XXX-03
S/N XHL055007714



ARCTIC SILVER QUIET DRIVE 95XE
Drive Module

95XE-0XXX-03
S/N XHL055007714





ARCTIC SILVER QUIET DRIVE 95XE

Cables

95XE-0XXX-03
S/N XHL055007714

